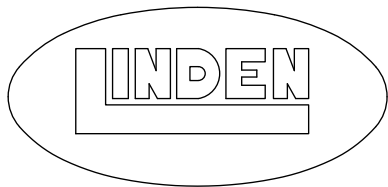


LOG LADDER PARTS MANUAL

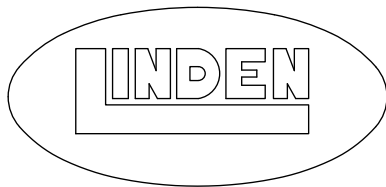
INDEX

- PAGE #2 - RECOMMENDED SPARE PARTS
- PAGE #3 - ELEVATION DRAWING, ELECTRIC DRIVE
- PAGE #4 - ELEVATION DRAWING, HYDRAULIC DRIVE
- PAGE #5 - ELECTRIC DRIVE COMPONENTS PARTS LIST C/W DESCRIPTION
- PAGE #6 - CYLINDERS & COMPONENTS PARTS LIST C/W DESCRIPTION
- PAGE #7 - CYLINDER ARM & FLANGE PARTS LIST C/W DESCRIPTION
- PAGE #8 - BEARING PARTS LIST C/W DESCRIPTION
- PAGE #9 - PROXIMITY PARTS LIST C/W DESCRIPTION
- PAGE #10 - ROLLCASE COMPONENTS
- PAGE #11 - ROLLCASE DRIVE
- PAGE #12 - PIPE GUIDE ASSEMBLY



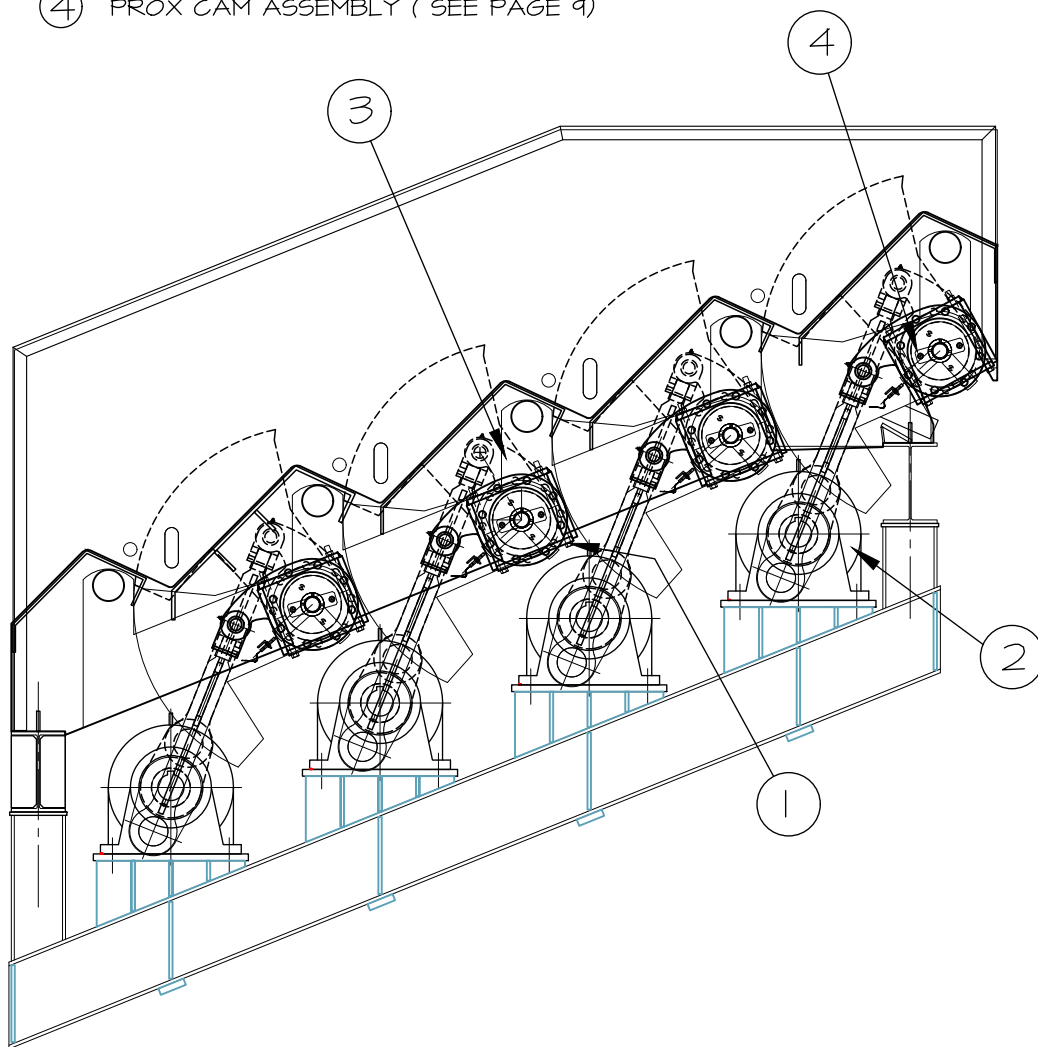
LOG LADDER
SUGGESTED SPARE PARTS LIST

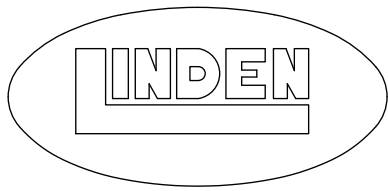
ITEM	QTY.	PART#	DESCRIPTION
1	1	LL220	CYLINDER CLEVIS
2	1	LL230	CYLINDER CLEVIS PIN
3	1	LL240	CYLINDER BASE MOUNT
4	1	LL250	CYLINDER BASE MOUNT PIN
5	1	LL300	CYLINDER ARM ASSEMBLY
6	1	CHECK	CYLINDER
7	1	LL400	PIPE FLANGE
8	1	LL510A	6" WIDE BUSHING
9	1	LL510B	3" WIDE BUSHING
10	-	LL530	BOLT AND NUT KIT
11	1	LL710	PROXIMITY SHAFT
12	1	LL720	PROXIMITY CAM
13	1	LL730	PROXIMITY MOUNT
14	1	LL740	PROXIMITY SWITCH
15	1	LL750	BANNER MAXI-BEAM EMITTER
16	1	LL760	BANNER MAXI-BEAM RECEIVER
17	1	LL10015/U LL10025/U	DRIVE HUB ASSEMBLY (CHECK)
18	1	LL1040A	DRIVE ARM ASSEMBLY
19	1	LL1040C	DRIVE ARM CLEVIS
20	1	LL1040D	CLEVIS PIN



LOG LADDER
4-STEP, 22-DEGREE
ELECTRIC DRIVE

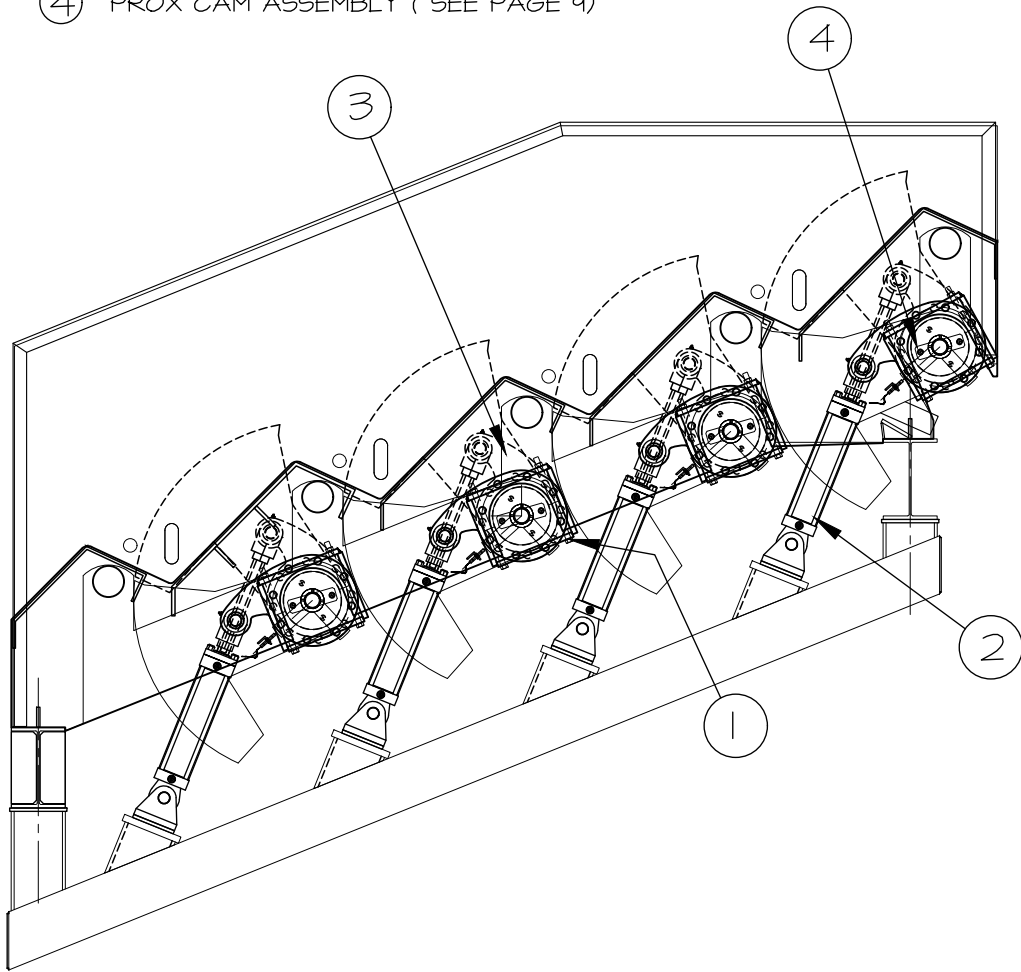
- ① BEARING ASSEMBLY (SEE PAGE 8)
- ② ELECTRIC DRIVE ASSEMBLY (SEE PAGE 5)
- ③ CYLINDER ARM (SEE PAGE 7)
- ④ PROX CAM ASSEMBLY (SEE PAGE 9)

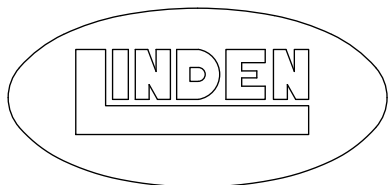




LOG LADDER
4-STEP, 22-DEGREE
HYDRAULIC DRIVE

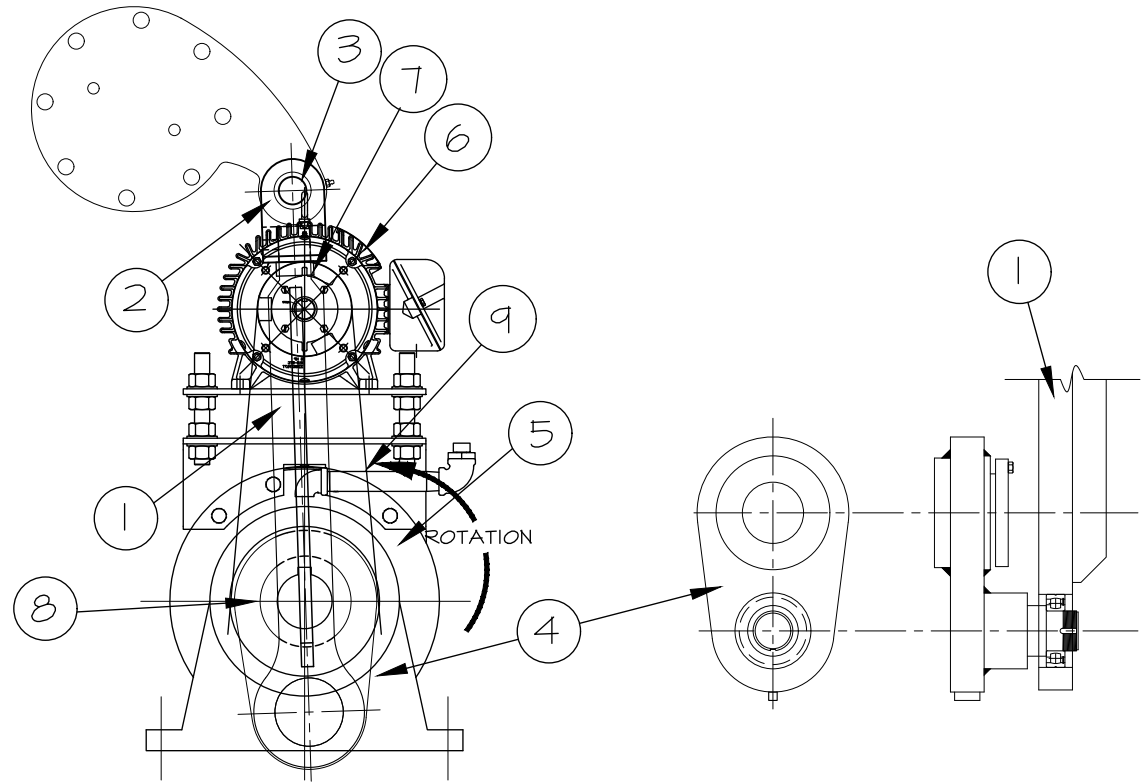
- ① BEARING ASSEMBLY (SEE PAGE 8)
- ② CYLINDERS (SEE PAGE 6)
- ③ CYLINDER ARM (SEE PAGE 7)
- ④ PROX CAM ASSEMBLY (SEE PAGE 9)

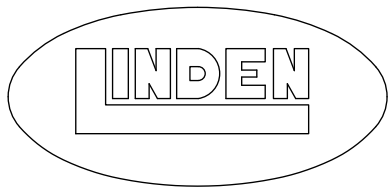




LOG LADDER DRIVE COMPONENTS

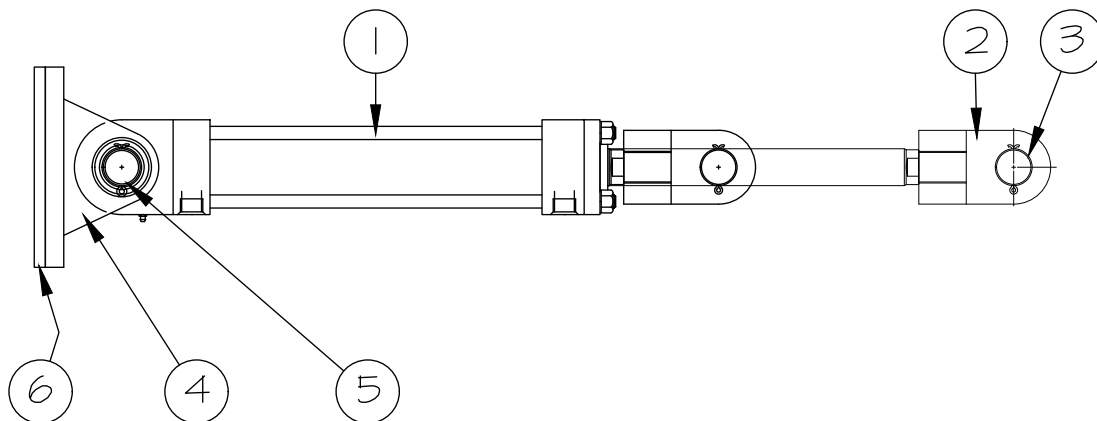
ITEM	PART#	DESCRIPTION
①	LL1040A	DRIVE ARM ASSEMBLY
②	LL1040C	CLEVIS 2x12 THREAD
③	LL1040D	1 3/4" PIN
④	LL10015/U LL10025/U	DRIVE HUB ASSEMBLY c/w PIN (CHECK)
⑤		SM CYCLO c/w TOP MOUNT (CHECK)
⑥		BALDOR MOTOR (CHECK)
⑦		MOTOR SHEAVE c/w BUSHING (CHECK)
⑧		REDUCER SHEAVE c/w BUSHING (CHECK)
⑨		BELTS (CHECK)

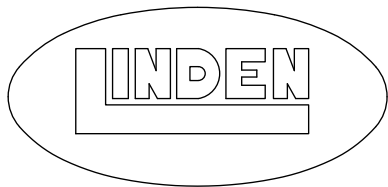




LOG LADDER HYDRAULIC COMPONENTS

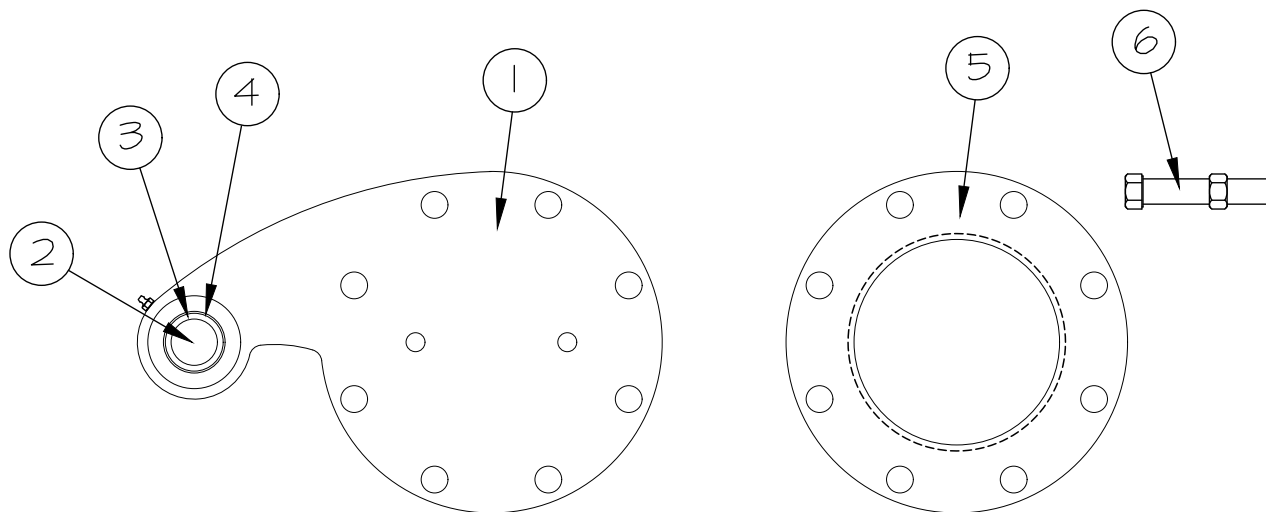
ITEM	PART#	DESCRIPTION
1a	LL2514	ROYAL 2 1/2" x 14" STROKE CYLINDER
1b	LL3214	ROYAL 3 1/4" x 14" STROKE CYLINDER
1c	LL3215	ROYAL 3 1/4" x 15" STROKE CYLINDER
1d	LL414	ROYAL 4" x 14" STROKE CYLINDER
2	LL220	LINDEN CLEVIS
3	LL230	LINDEN CLEVIS PIN
4	LL240	LINDEN CYLINDER MOUNT
5	LL250	LINDEN BASE PIN
6	LL340	SHIM 1/2"

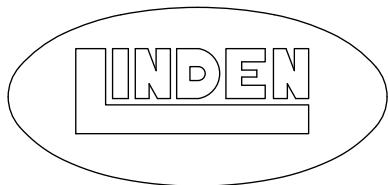




LOG LADDER

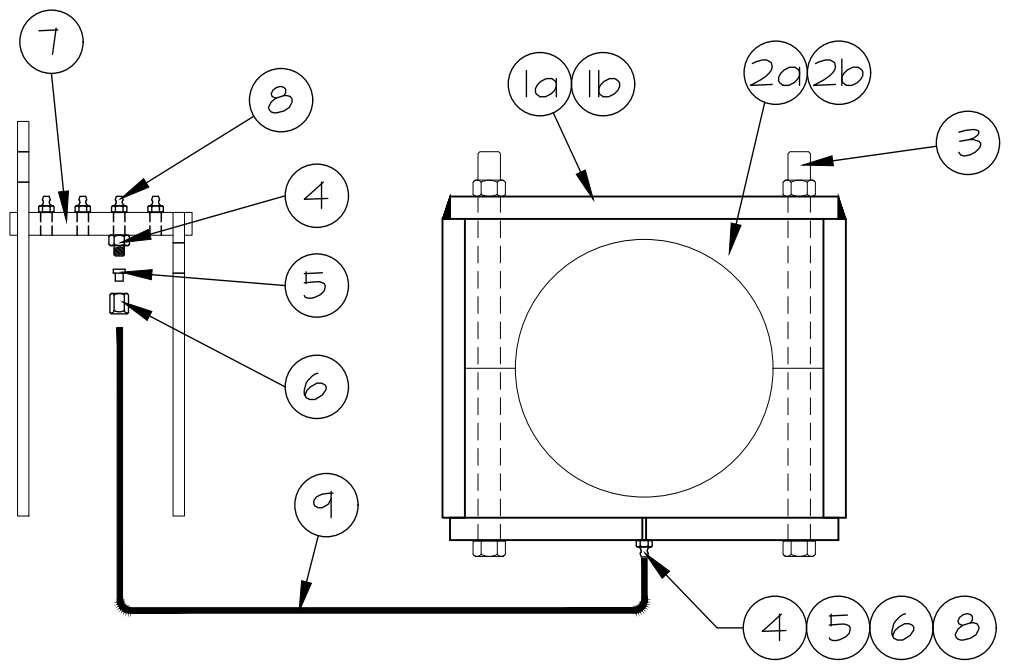
ITEM	PART#	DESCRIPTION
①	LL300	CYLINDER ARM ASSEMBLY
②	LL330	SPHERICAL BALL BUSHING
③	LL340	BEARING SPACER , 2-REQ.
④	LL350	INTERNAL SNAP RING, 2-REQ.
⑤	LL400	PIPE FLANGE \varnothing 1 1/2"
⑥	LL420	FLANGE CONNECTION BOLTS

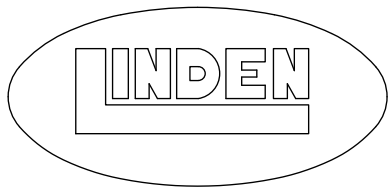




LOG LADDER BEARINGS

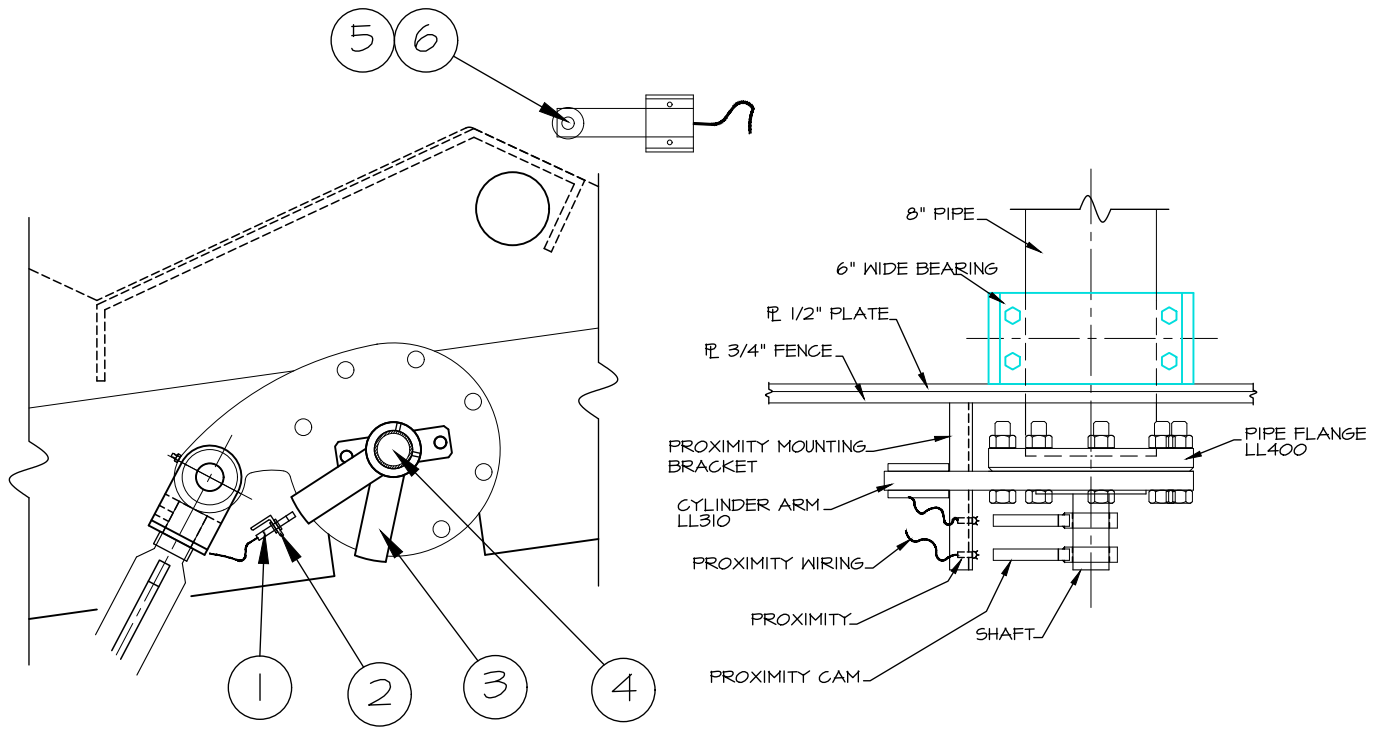
ITEM	PART#	DESCRIPTION
①a	LL500A	6" WIDE BEARING HOUSING
①b	LL500B	3" WIDE BEARING HOUSING
②a	LL510A	6" WIDE BUSHING
②b	LL510B	3" WIDE BUSHING
③	LL530	BOLT AND NUT KIT
④	LL630	ADAPTER 1030-02-04
⑤	LL640	SLEEVE 60S-04
⑥	LL650	SLEEVE NUT 60N-04
⑦	LL600A LL600B	(4) GREASE BLOCK (2) GREASE BLOCK
⑧	LL620	NIPPLE 1/8" STRAIGHT 5000 GF-610
⑨	LL660	GREASE LINE HOSE

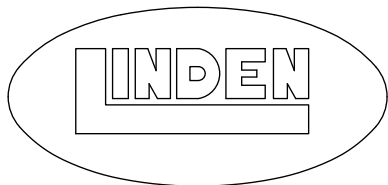




LOG LADDER PROX CAM ASSEMBLY

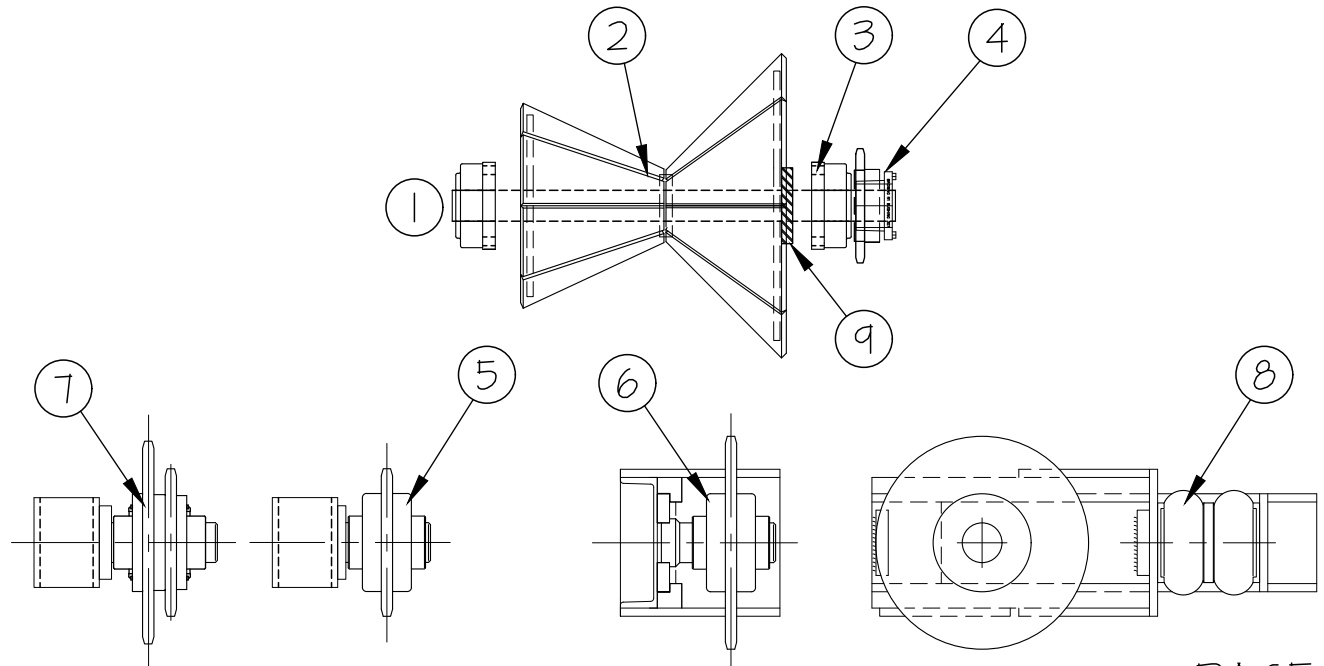
ITEM	PART#	DESCRIPTION
①	LL740	ALLAN BRADLEY
②	LL730	PROX MOUNTING BRACKET
③	LL720	PROX CAM
④	LL710	PROX SHAFT
⑤	LL750	BANNER-MAXI BEAM SERIES RSBE
⑤	LL760	BANNER-MAXI BEAM SERIES RSBR





LOG LADDER
ROLLCASE

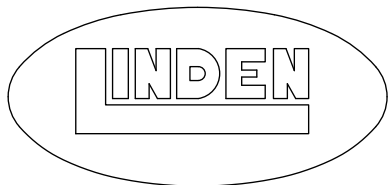
ITEM	PART#	DESCRIPTION
①	LLI000	COMPLETE ROLLCASE ASSEMBLY (CHECK)
②	LLI010	HOURGLASS ROLL WITH SHAFT (CHECK)
③	LLI020	TIMKEN FLANGE BEARING 2-7/16"
④	LLI030	H100R21 SPROCKET C/W RI x 2 7/16 TAPER BUSHING
⑤	LLI031	IDLER ASSEMBLY H100A21 SPROCKET C/W ER212-39 BEARINGS
⑥	LLI032	TAKEUP ASSEMBLY H100A31 SPROCKET C/W ER212-39 BEARINGS
⑦	LLI033	DRIVE ASSEMBLY H100A21 SPROCKET H100A31 SPROCKET
⑧	LLI050	FIRESTONE AIRMOUNT #25 x 1/4 NPFT
⑨	LLI055	UHMW SPACER DISC
⑩	LLI060	RC100 CHAIN (NOT SHOWN)



DRIVEN

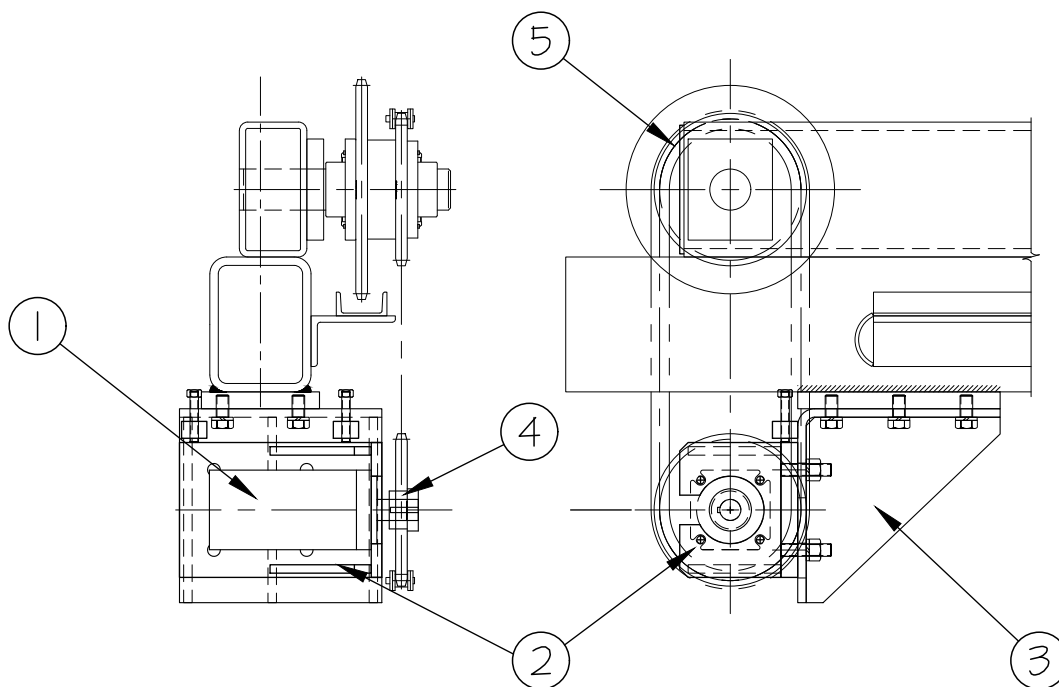
IDLER

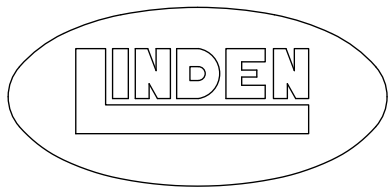
TAKE-UP



LOG LADDER
ROLLCASE

ITEM	PART#	DESCRIPTION
①	LL1070	MOTOR CHAR-LYNN
②	LL1075	MOTOR SLIDE BASE
③	LL1080	MOTOR BASE
④	LL1085	H100A21 SPROCKET & HUB
⑤	LL1060	RC100 CHAIN





LOG LADDER
PIPE GUIDE

ITEM	PART#	DESCRIPTION
①	LL1100	PIPE GUIDE ASSEMBLY STANDARD
②	LL1110	PIPE GUIDE ASSEMBLY NARROW
③	LL1120	PIPE GUIDE UHMW

