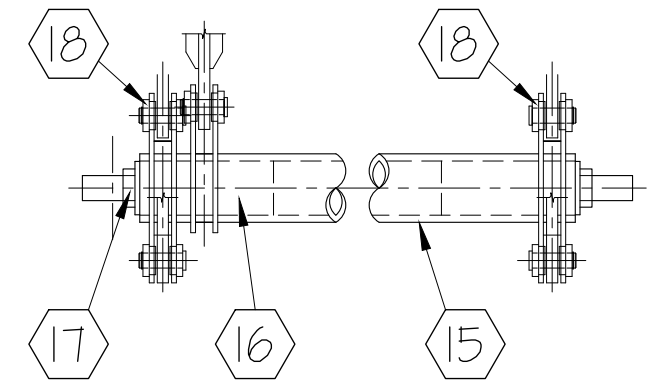
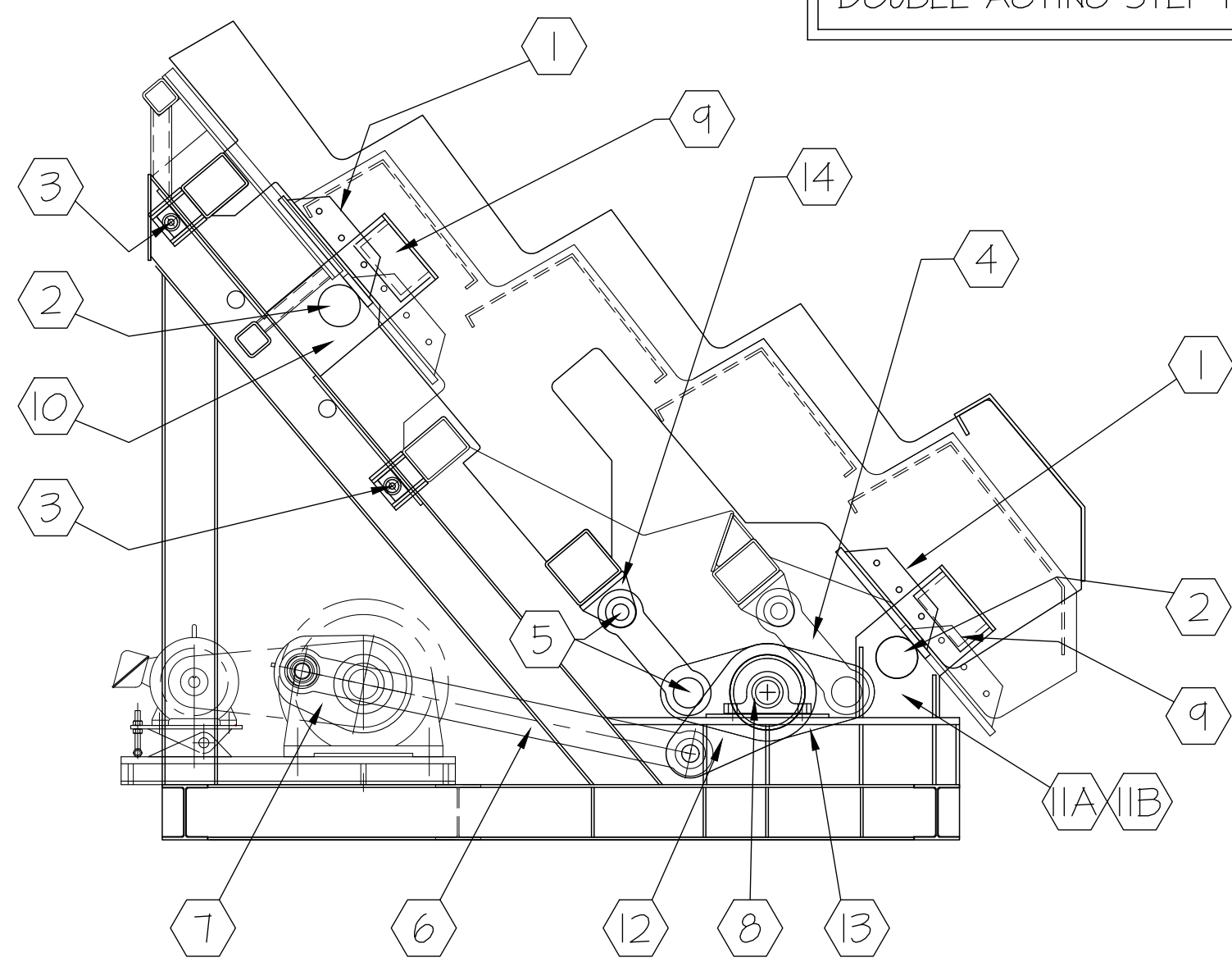


DOUBLE ACTING STEP FEEDER 29" STROKE



Lubrication Notes:

A) Lincoln Model 83668 Grease Pump, SL32 Injectors - CYCLE PUMP HOURLY  
 1. Grease wheels (2) 8 places. SEE AUTO LUBE INSTRUCTIONS IN MANUAL  
 2. Grease bearings (8) 2 places. SEE AUTO LUBE INSTRUCTIONS IN MANUAL  
 3. Grease pins (5) (18) 9 places. SEE AUTO LUBE INSTRUCTIONS IN MANUAL  
 USE EP-2 Grease. Check lube points and adjust injectors to ensure good flow. REFER TO LINCOLN MANUALS SUPPLIED AND ON-LINE AT [lincolnindustrial.com](http://lincolnindustrial.com)

B) Manual lubrication - grease gun

1. Grease wheels (2) 8 places. 3-Times per week  
 2. Grease bearings (8) 2 places. 1-Times per week  
 3. Grease pins (5) (18) 9 places. 3-Times per week  
 4. Grease cam followers (3) 4 places. 1-Times per week

NOTE: CAM FOLLOWERS SHOULD BE LOOSE AGAINST AR PLATE  
 \* DO NOT OVER TIGHTEN

Parts list			
Ref #	Part #	Description	# Req'd
1	DASFO13	29" Stroke Wheel Runner Assembly	8
2	DASFO10D	Std. Wheel Assembly (Top Wheels)	4
3	DASFO15	Front/Rear Cam Follower Assemblies	8
4	DASFO045	Linkage 29" Stk. c/w Spherical Bushings (60mm Bore)	4
5	DASFO18	Pin Assembly (60mm)	9
6	DASFO395	Driver Linkage c/w Spherical Bushing (60mm Bore) & Spherical Roller Brq.	1
7	DASFO38U	Drive Hub Assembly c/w UI x ___" Taper Bushing	1
8	DASFI00	QMPF20-315 BLUE BRUTE x 3 15/16" Brq	2
9	DASFO32	UHMW Guide Block Assembly	4
10	DASFO30	Front Wheel Mount c/w Axle	2
	DASFO10E	Wheel Axle	2
	DASFO10F	Axle Hub	2
	DASFO10H	Axle End Cap	4
11A	DASFO35	50 Degree, Rear Wheel Mount c/w Axle	2
11B	DASFO31	35 Degree, Rear Wheel Mount c/w Axle	2
	DASFO10E	Wheel Axle	2
	DASFO10F	Axle Hub	2
	DASFO10H	Axle End Cap	4
12	DASFO24	Drive Plate Assembly	1
13	DASFO19	Pivot Plate Assembly	2
14	DASFO17	Linkage Mount	4
15	DASFO85	29" Stroke Torque Tube, c/w Pivot and Drive Plates. Pipe length to suit.	1
16	DASFO62	Solid C1045 Stub Shaft. Diameter to suit.	2
17	DASFO62B	Bearing Spacer	2
18	DASFO21	DASF Linkage Pin Hub (no pin)	10

The unauthorized reproduction, in whole or in part, of this drawing for any purpose whatsoever, including as part of a call for tender, is strictly prohibited.